

## 3cm Width Pendant Ceiling LED Linear Light- Galaxy P3 Series Indoor Luminaires | Pendant | Linear Lights | Elegant & High Efficacy Linear Light



### Applications

- > Hospitals And Medical Centers
- > Commercial And Entertainment Centers
- > Banks
- > Retails
- > Hotels And Restaurants
- > Offices
- > Public Buildings
- > Educational Centers
- > Airports

### Benefits

- > Visual Beauty And Elegant Body Design
- > Available In Different Sizes - 50,100,150,200 [cm]
- > Uniform Illumination Using High Efficiency Opal White Polycarbonate Light Diffuser
- > Saving Energy With High Efficiency
- > Long Life Time Without High Luminous Drop During Time And Maintenance-Free
- > High Quality Light Produced By Backlight Technology

### features

- > Operating Temperature (°C) : -20 ... +45
- > Lifespan : 50000 h – L80/B10
- > Efficacy (lm/w) : 100
- > Input Voltage (VAC) : 190 ... 240 | 50 ... 60 [Hz]
- > Wavelength : NO UV | NO IR

TECHNICAL DATASHEET

Electrical specifications

|                   |                                    |
|-------------------|------------------------------------|
| Power Consumption | 45 [W]                             |
| Power Supply      | External LED Driver                |
| Input Voltage     | 190 ... 240 [VAC] – 50 ... 60 [Hz] |
| Energy Label      | A++                                |

Photometric data

|                             |                    |
|-----------------------------|--------------------|
| CCT (color temperature)     | 3000-4000-6500 [K] |
| CRI (color rendering index) | > 90               |
| Luminous Flux               | 4500 [lm]          |
| Efficacy                    | 100 [lm/w]         |
| Beam Angle                  | 120 °              |

Dimensions

|        |           |
|--------|-----------|
| Shape  | Linear    |
| Length | 1500 [mm] |
| Width  | 36 [mm]   |
| Height | 75 [mm]   |
| Weight | –         |

Luminaire Body

|                   |   |
|-------------------|---|
| Body Material     | Extruded Aluminum                                 |
| Body Color        | All RAL Colours With Electrostatic Powder Coating |
| Diffuser Material | Extruded Polycarbonate                            |
| Diffuser Color    | Opal White  |
| IP Rating         | 44  |

Lifespan

|          |                   |
|----------|-------------------|
| lifespan | 50000 h – L80/B10 |
| warranty | 5 years           |

Installation

|                   |   |
|-------------------|---|
| Installation Type | Pendant   |
| Usage             | Pendant Ceiling Linear Lights, For General Lighting |

TECHNICAL DATASHEET

Additional Systems

|               |                     |
|---------------|---------------------|
| Dimming       | Optional            |
| DALI          | Optional            |
| Battery       | Optional            |
| Motion Sensor | Optional / External |

Light Source

|                          |                          |
|--------------------------|--------------------------|
| Manufacturing Technology | Backlight                |
| Source Of Light          | SMD LED                  |
| Module Brand             | SAYAN ELECTRIC           |
| Module Series            | SE-LL5002DE2835X030A0300 |
| Module Geometry          | 3 Linear Module          |
| Chipset Brand / Package  | OSRAM / DURIS® E 2835    |
| Led Qty.                 | 90 LEDs                  |
| Lens On Chipset          | NO                       |
| Lens Type                | –                        |
| Module Terminal Blocks   | WAGO2060                 |

DRIVER

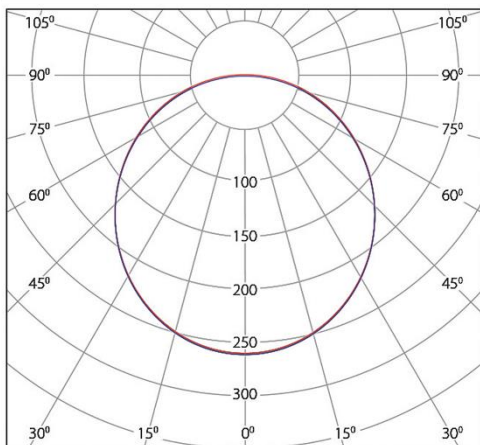
|              |   |
|--------------|---|
| Driver Type  | External CC - Driver                      |
| Driver Brand | OSRAM                                     |
| Power Factor | > 95%                                     |
| Flicker      | < 10 %                                    |
| THD          | < 10 %                                    |
| Efficiency   | < 91 %                                    |
| Protections  | OTP-OVP-OCP-OLP-Inrush Current Protection |

TECHNICAL DATASHEET

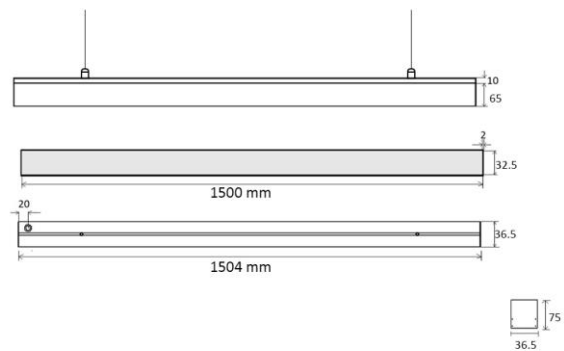
Logistics

|                                |                     |
|--------------------------------|---------------------|
| Product Code                   | SE-GY345P1500844SCX |
| Primary Packaging              | Plastic Bag         |
| Primary Packaging Dimensions   | —                   |
| Secondary Packaging            | —                   |
| Secondary Packaging Dimensions | —                   |
| Tertiary Packaging             | —                   |
| Tertiary Packaging Dimensions  | —                   |
| Qty. In Tertiary Packaging     | —                   |

Light Distribution Curve



Technical Drawings



Scan QR Code For More Information