

**60x60 Recessed Ceiling LED Panel Light- ARAL PLUS Series**  
**Indoor Luminaires | Recessed | Panel Lights | High Efficacy LED Panel**



**Applications**

- > Hospitals And Medical Centers
- > Commercial And Entertainment Centers
- > Banks
- > Retails
- > Hotels And Restaurants
- > Offices
- > Public Buildings
- > Educational Centers
- > Airports

**Benefits**

- > Saving Energy With High Efficiency
- > Easy And Safe Installation
- > Long Life Time Without High Luminous Drop During Time And Maintenance-Free
- > Uniform Illumination Using High Efficiency Opal White Polystyrene Light Diffuser
- > Highly Durable Body Using Carbon Steel
- > High Quality Light Produced By Backlight Technology

**features**

- > Operating Temperature (°C) : -20 ... +45
- > Lifespan : 50000 h – L80/B10
- > Efficacy (lm/w) : 107
- > Input Voltage (VAC) : 190 ... 240 | 50 ... 60 [Hz]
- > Wavelength : NO UV | NO IR

TECHNICAL DATASHEET

Electrical specifications

Power Consumption	60 [W]
Power Supply	External LED Driver
Input Voltage	190 ... 240 [VAC] – 50 ... 60 [Hz]
Energy Label	A++

Photometric data

CCT (color temperature)	3000-4000-6500 [K]
CRI (color rendering index)	> 90
Luminous Flux	6400 [lm]
Efficacy	107 [lm/w]
Beam Angle	120 °

Dimensions

Shape	Square
Length	595 [mm]
Width	595 [mm]
Height	70 [mm]
Weight	-

Luminaire Body

Body Material	Carbon Steel
Body Color	White With Electrostatic Powder Coating
Diffuser Material	Polystyrene
Diffuser Color	Opal White
IP Rating	44

Lifespan

lifespan	50000 h – L80/B10
warranty	3 years

Installation

Installation Type	Recessed
Usage	Recessed Ceiling Panel Lights, For General Lighting

TECHNICAL DATASHEET

Additional Systems

Dimming	Optional
DALI	Optional
Battery	Optional
Motion Sensor	Optional / External

Light Source

Manufacturing Technology	Backlight
Source Of Light	SMD LED
Module Brand	Sayan Electric
Module Series	SE-LL4801DE2835X008A0440
Module Geometry	8 Linear Module
Chipset Brand / Package	OSRAM / DURIS® E 2835
Led Qty.	64 LEDs
Lens On Chipset	YES
Lens Type	160° Polycarbonate Lens
Module Terminal Blocks	WAGO2060

DRIVER

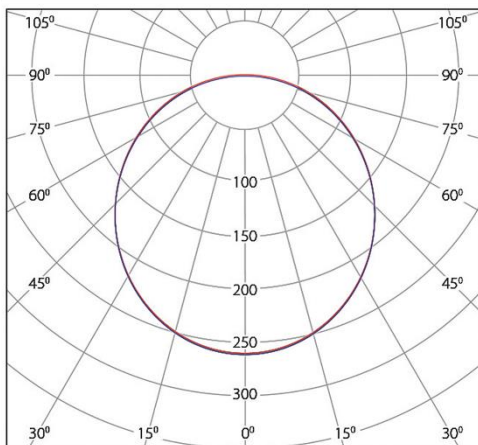
Driver Type	External CC - Driver
Driver Brand	Sayan Electric
Power Factor	> 90%
Flicker	< 20 %
THD	< 10 %
Efficiency	< 93 %
Protections	OVP-OCP-OLP-Inrush Current Protection

TECHNICAL DATASHEET

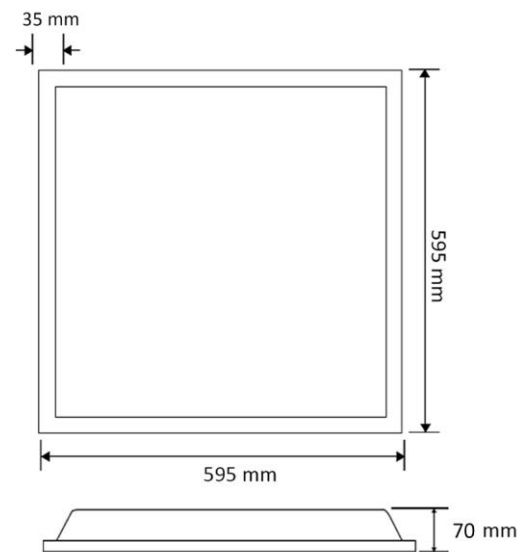
Logistics

Product Code	SE-AP60R606044SLI
Primary Packaging	Plastic Bag
Primary Packaging Dimensions	–
Secondary Packaging	Compressed Paper Box
Secondary Packaging Dimensions	615x610x150 [mm]
Tertiary Packaging	Compressed Paper Box
Tertiary Packaging Dimensions	–
Qty. In Tertiary Packaging	–

Light Distribution Curve



Technical Drawings



Scan QR Code For More Information